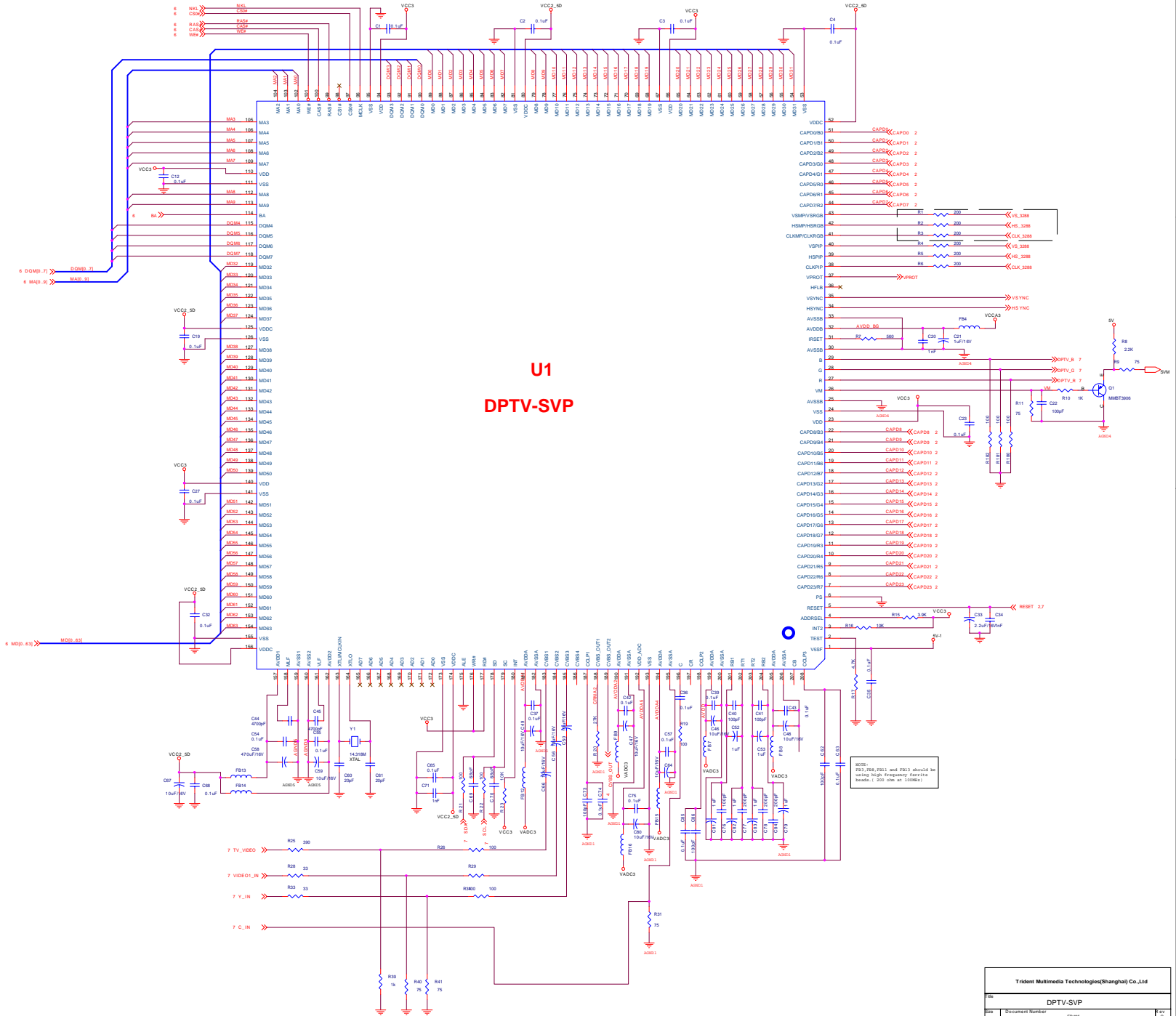
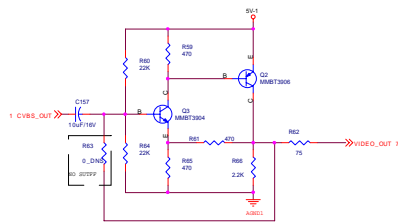
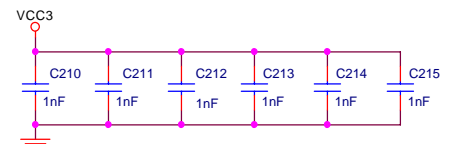
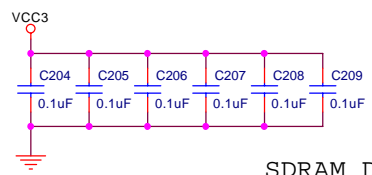
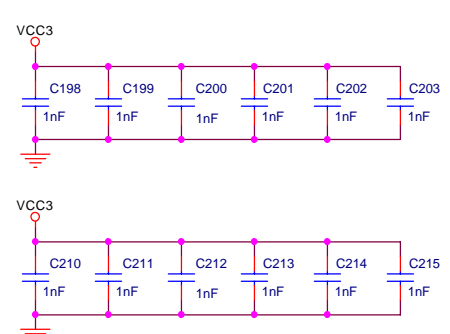
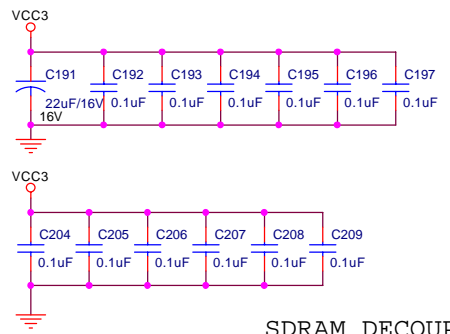
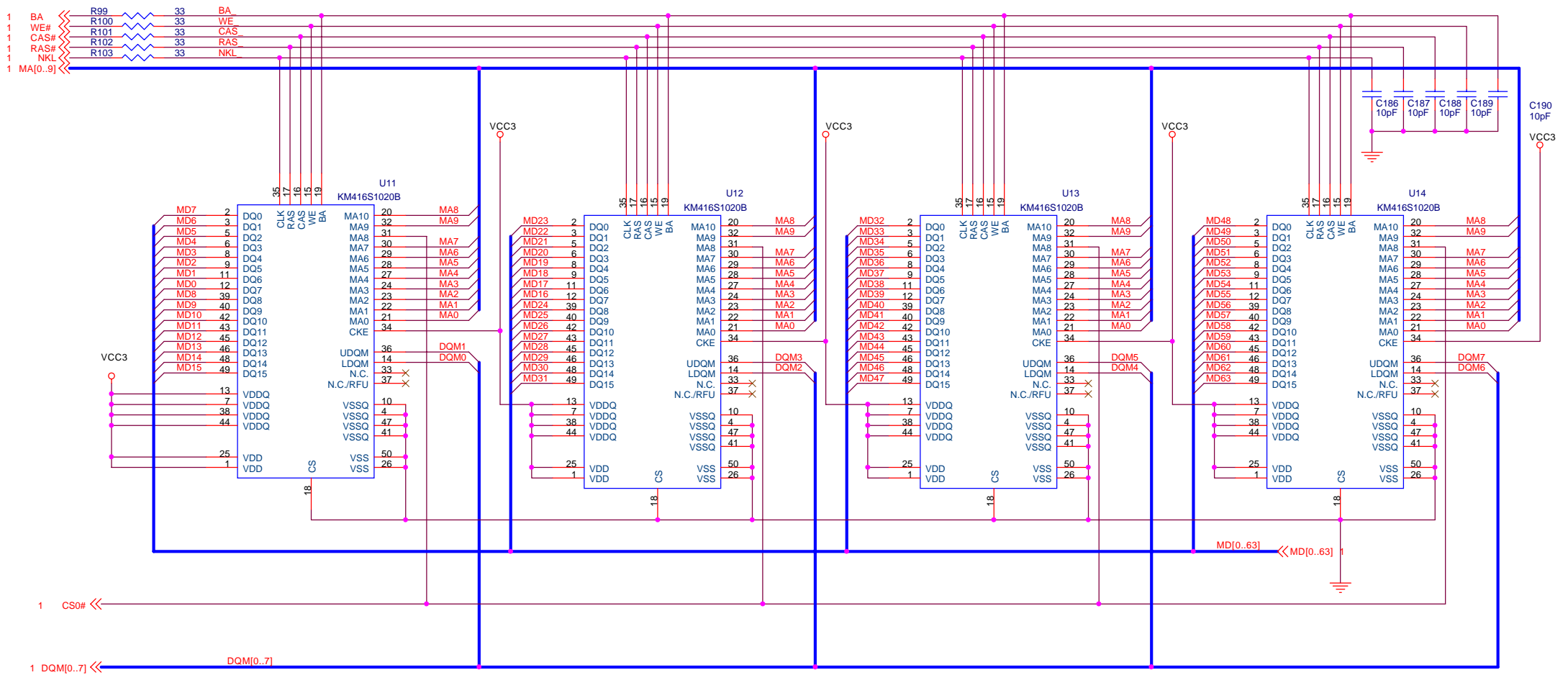


PRELIMINARY

This is an application example. Trident Multimedia Technologies(Shanghai) Co., Ltd. bears no responsibility for any errors in drawing these schematics. Copyright 2005 Trident Multimedia Technologies(Shanghai) Co., Ltd. Schematics subject to change without notice.

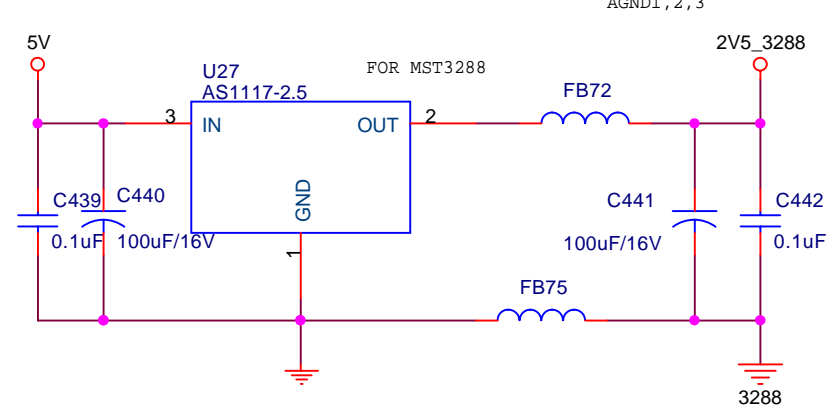
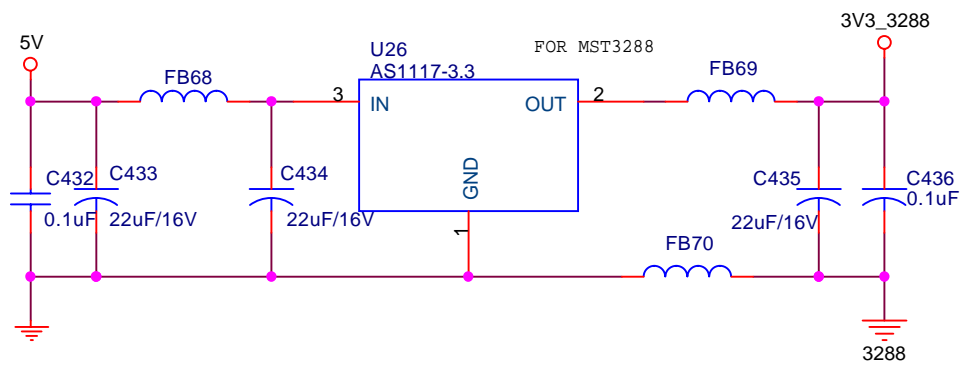
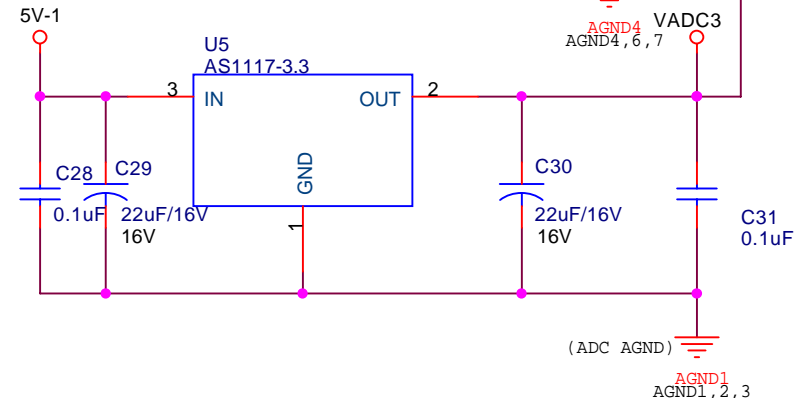
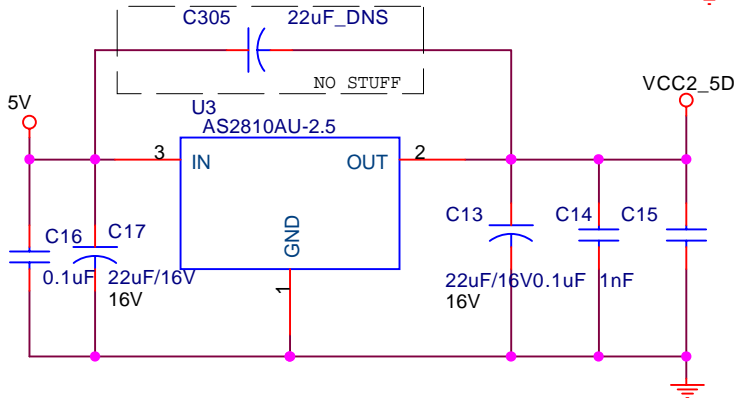
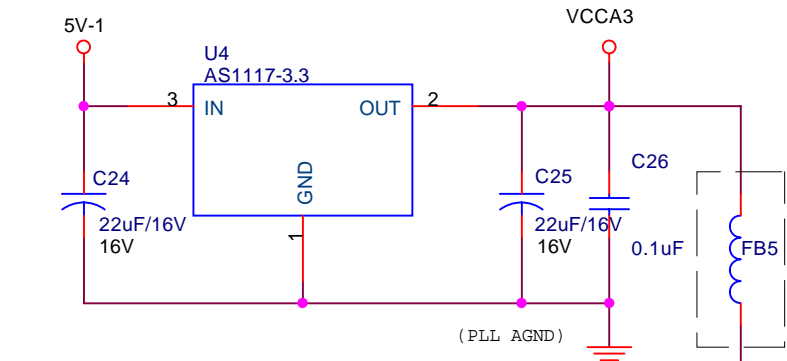
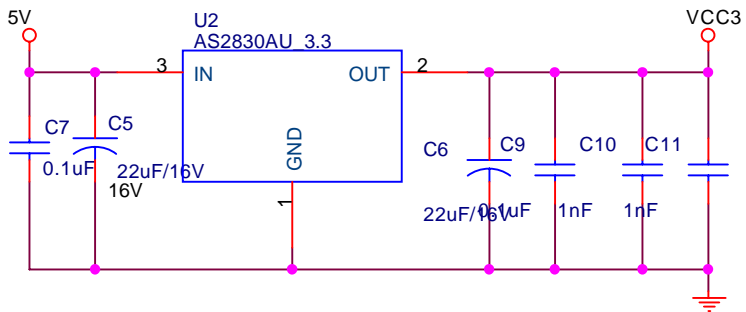


Trident Multimedia Technologies(Shanghai) Co., Ltd.		
Doc	DPTV-SVP	
Doc	Doc/Document Number	FB405
Date	Rev.	1 of 5

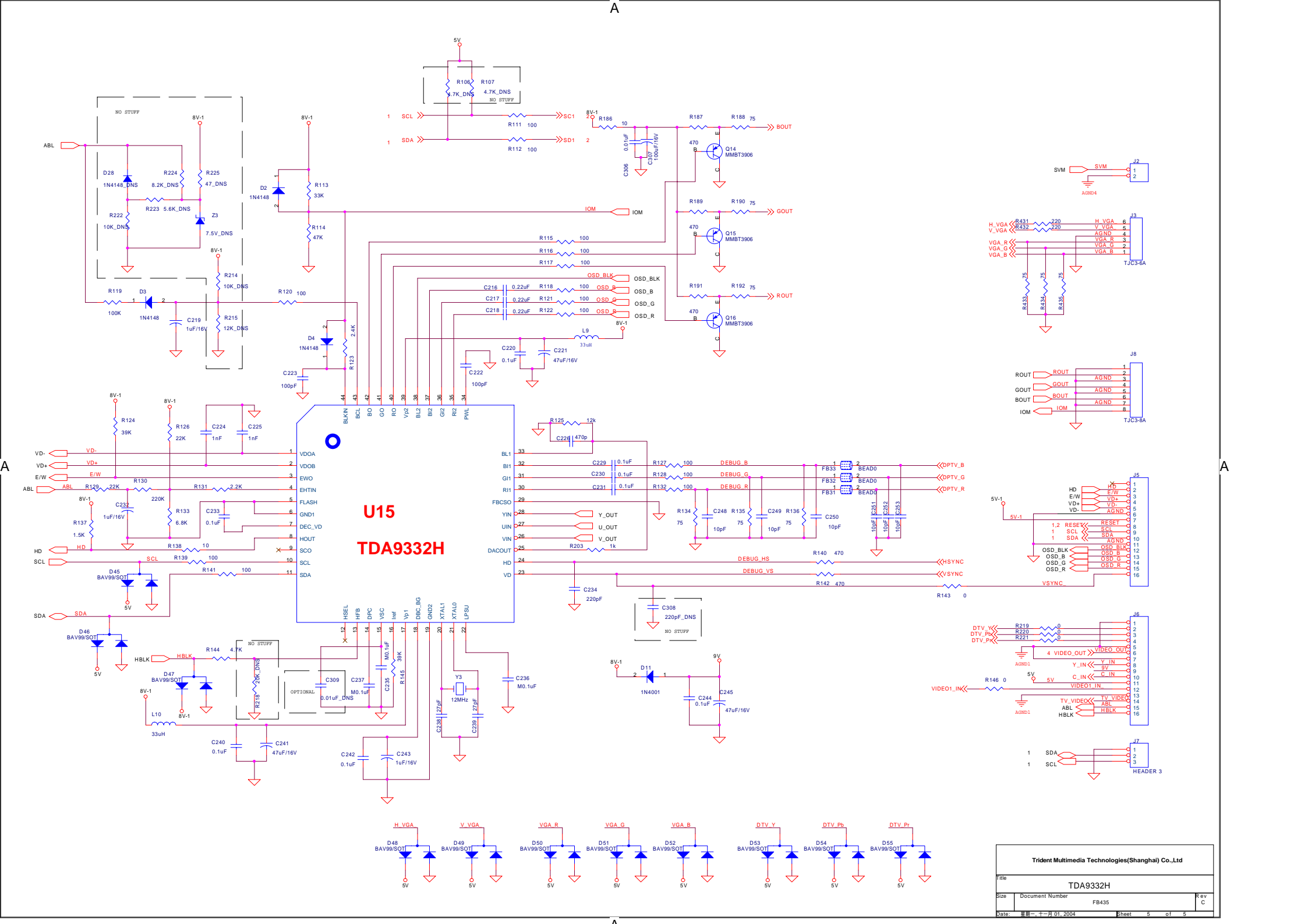


SDRAM DECOUPLING CAPACITORS

Trident Multimedia Technologies(Shanghai) Co.,Ltd		
Title		
SDRAM 1MX4		
Size	Document Number	Rev
	FB435	1
Date:	星期一, 十一月 01, 2004	Sheet 3 of 5



Trident Multimedia Technologies(Shanghai) Co.,Ltd		
Title POWER		
Size	Document Number FB435	Rev C
Date: 2004年11月01日	Sheet 4	of 5



U15
TDA9332H

Trident Multimedia Technologies(Shanghai) Co.,Ltd		
Title TDA9332H		
Size	Document Number FB435	R v C
Date	日期: 十一月 01, 2004	Sheet 5 of 5