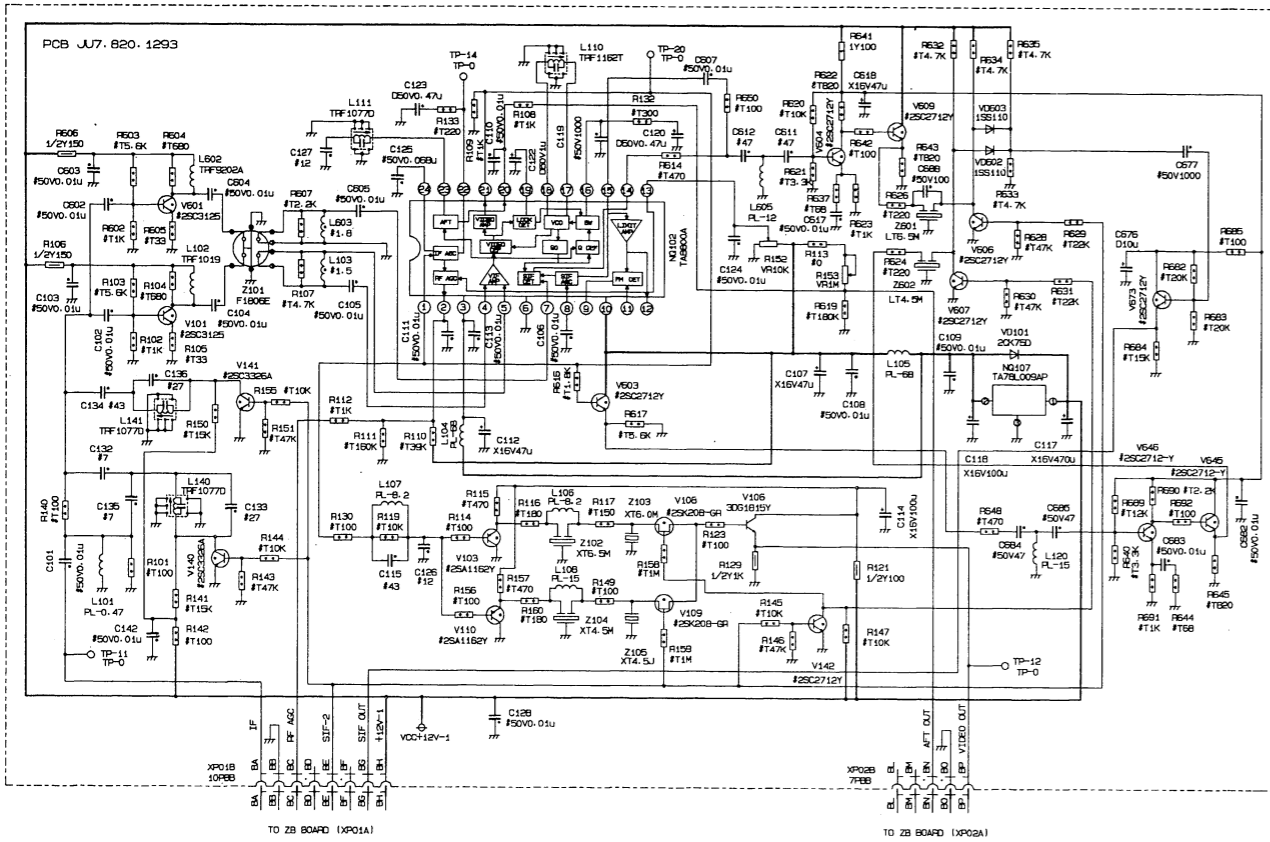
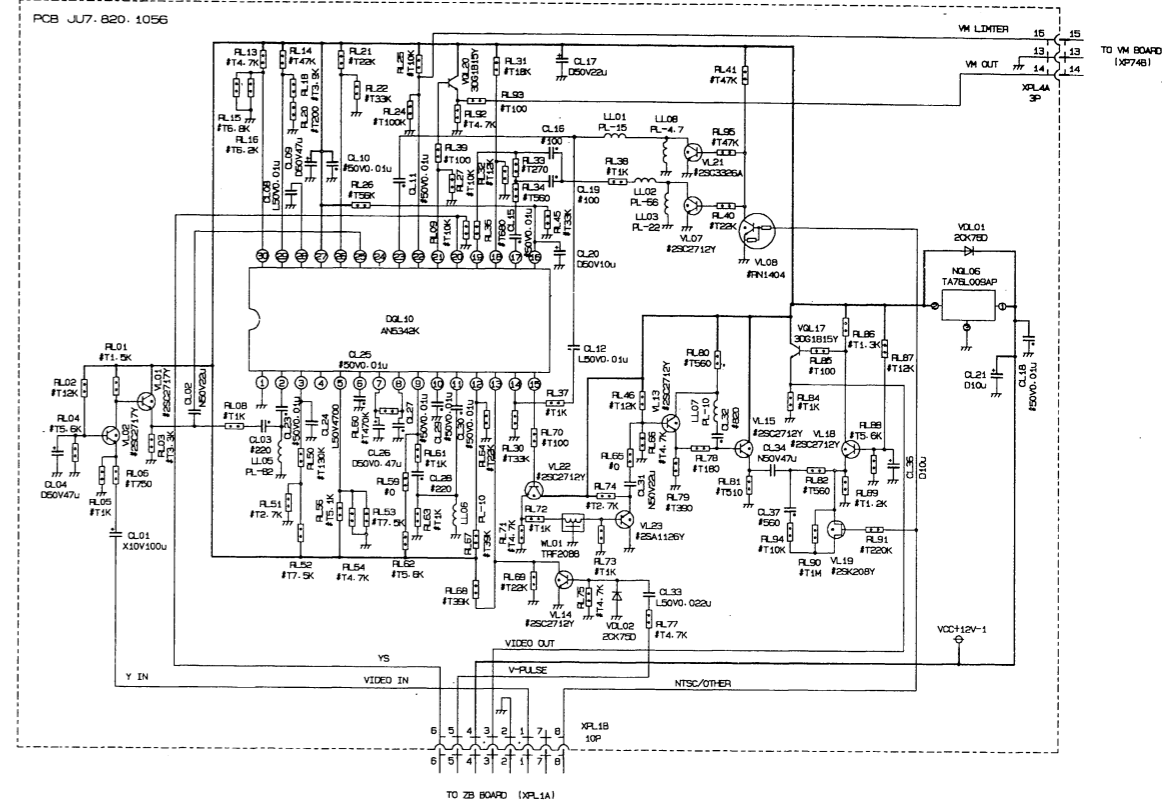


# C3419D 电路原理图 (四)

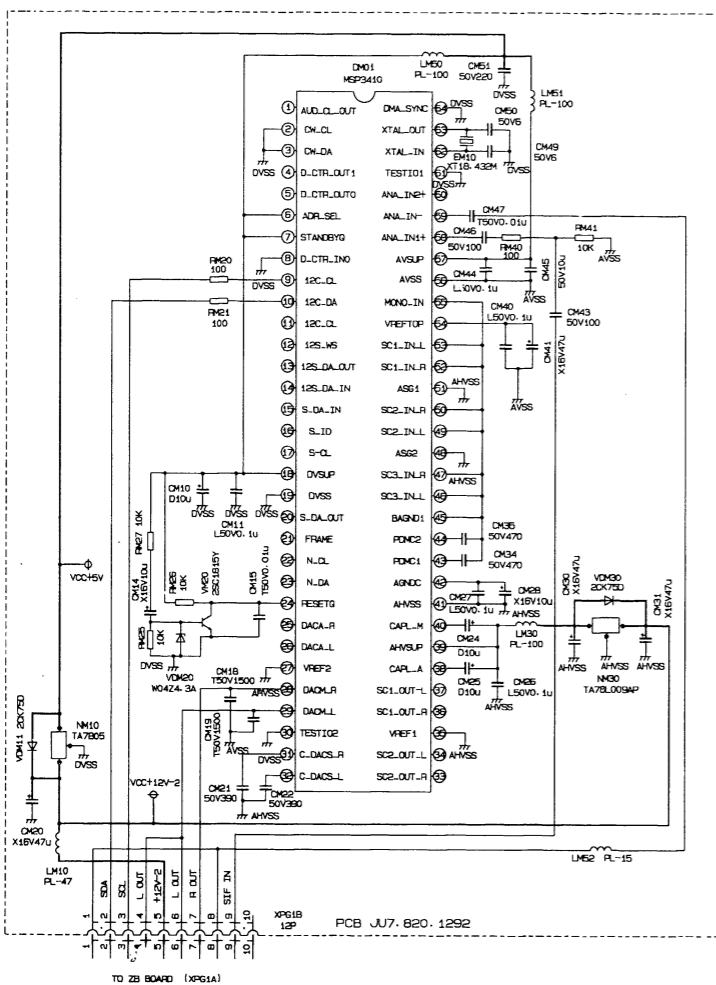
PM BOARD



LT BOARD



MSP BOARD



VM BOARD

