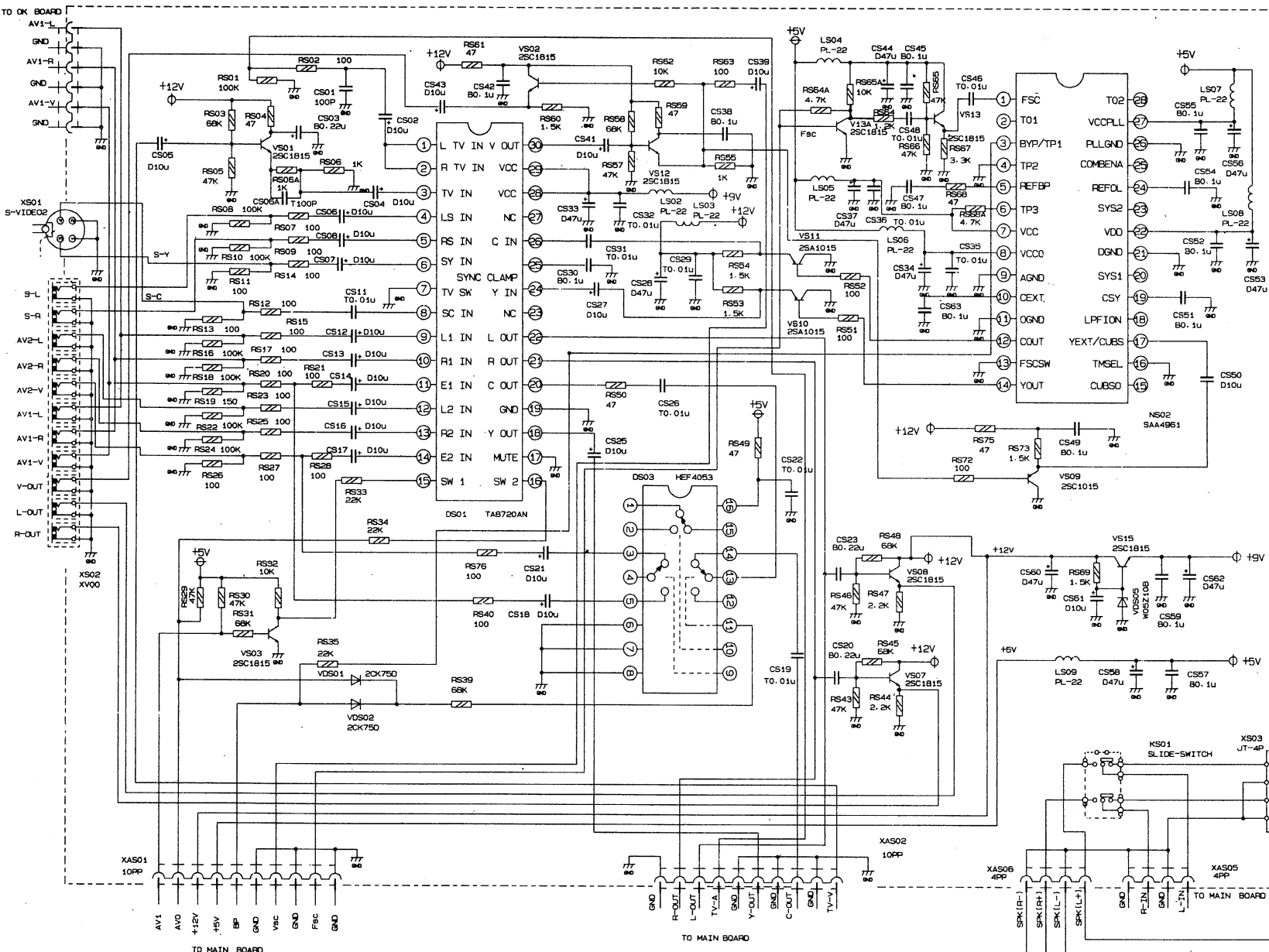
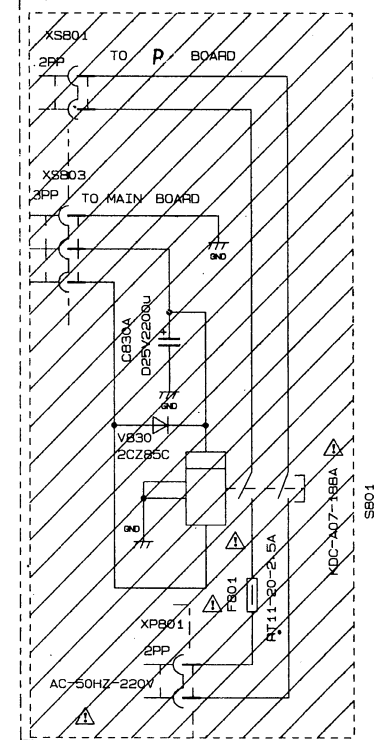


C2995、D2965 型彩色电视机电路图(二)

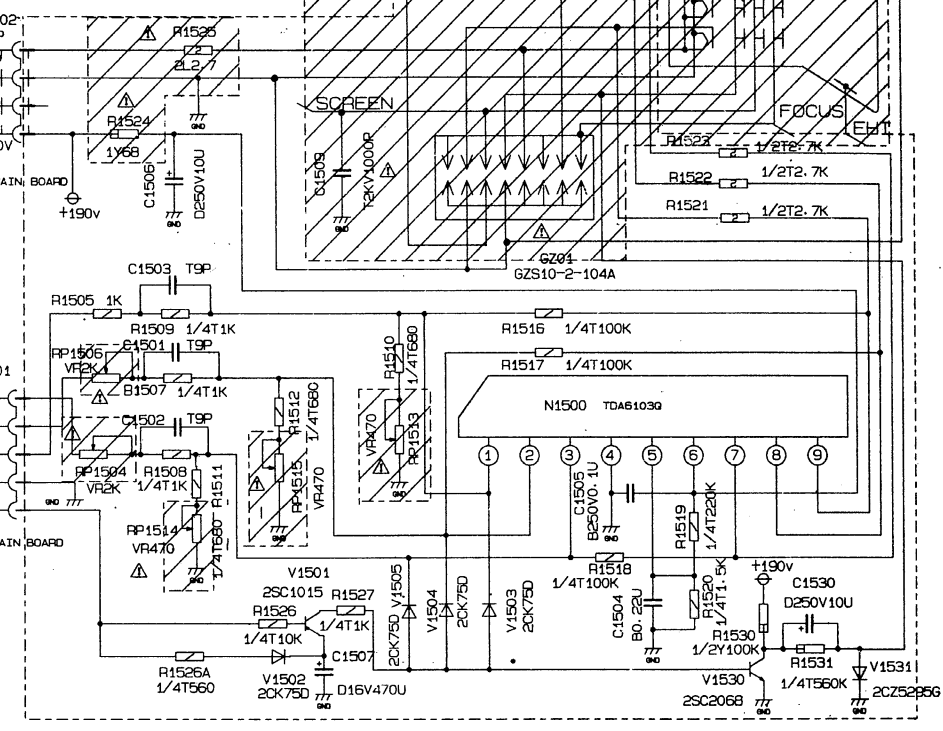
AV-COMB BOARD JU7.820.1331



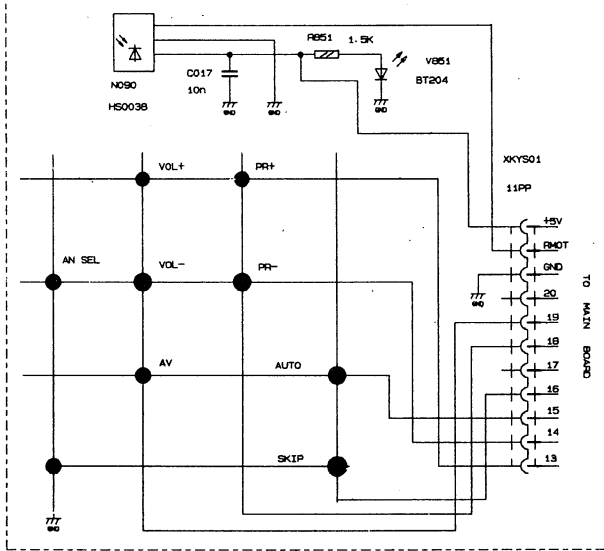
PK BOARD JU7.820.1282



JU7.820.1330 Y BOARD



KEY BOARD JU7.820.1218



P BOARD JU7.820.1329

